

SW-2006, SW-2007, SW-2008, SW-2109, SW-2211

SW Series Quick Couplers for Wheel Loaders



Features

Increased versatility

Efficient design

Hydraulic activation

Vertical wedge style locking system

Unlimited possibilities

Benefits

Allows one operator with one machine to perform a wide variety of tasks, resulting in greater machine versatility and cost efficiency.

Coupler and attachments are designed to maintain the center of gravity as close to the machine as possible.

Hydraulic models allow operator to switch attachments in 30 seconds or less without leaving the cab.

Minimizes play between work tool hinges and the quick coupler.

Attachment possibilities limited only by the operator's imagination: buckets, pallet forks, material handling arms, etc.

SW-2006, SW-2007, SW-2008, SW-2109, SW-2211 Quick Couplers

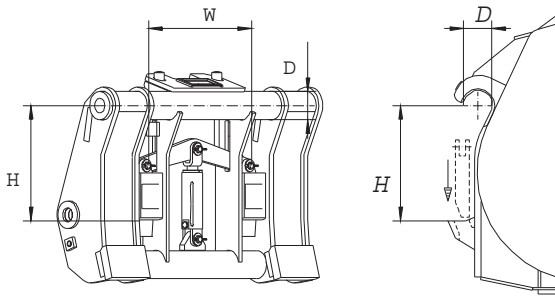
Specifications and Dimensions

		SW-2004	SW-2005	SW-2006	SW-2007	SW-2008	SW-2109	SW-2211
Wheel Loader models		914G 924G/928Gz/930G		938G II	950H/962H	966H/972H	980G II	988G/H
H Height	mm	425	425	425	515	515	605	1100
W Width	mm	527	527	527	650	650	1610	1700
D Diameter	mm	102	102	102	127	127	110	50
Hydraulic								
Couple	bar	100-250	100-250	100-250	100-250	100-250	80-120	80-120
Uncouple	bar	150-350	150-350	150-350	150-350	150-350	200-350	200-350
Oil flow output	l/min	10	10	10	10	10	10	10
Number of wedges		2	2	2	2	2	4	3

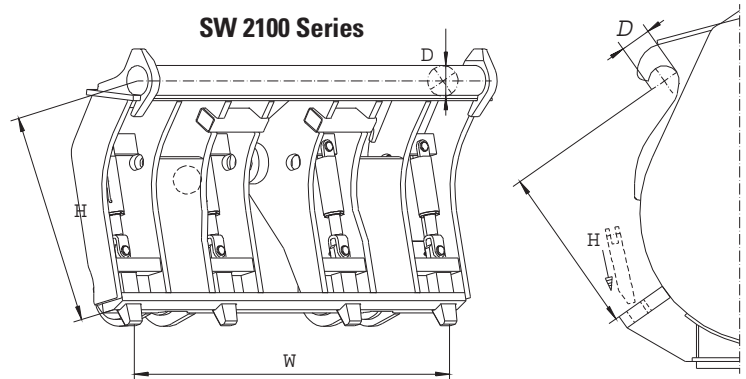
The SW series quick couplers need to be controlled by CWTS universal hydraulic quick coupler control system (SB-unit) or a quick coupler actuation circuit ordered from Caterpillar machine price list (factory installed when available).

In case your customer's machine has been equipped with a different quick coupler control unit, not offered by Caterpillar, the user has to ensure that that this system meets SW series hydraulic requirements.

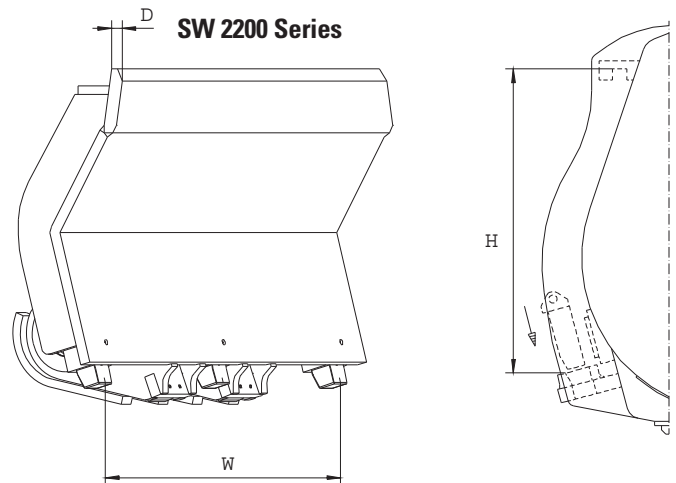
SW 2000 Series



SW 2100 Series



SW 2200 Series



Hydraulic Requirements

A hydraulic quick coupler requires a control unit (lines included).

Matching Guide

Quick Couplers	Wheel Loaders
SW-2004	914G
SW-2005	924G, 928Gz, 930G
SW-2006	938G II
SW-2007	950H, 962H
SW-2008	966H, 972H
SW-2109	980G II, 980H
SW-2211	988G, 988H

For more complete information on Cat products, dealer services, and industry solutions, visit us on the web at www.cat.com

HEHX3147-2 (02/2007) hr

© 2007 Caterpillar -- All Rights Reserved

Materials and specifications are subject to change without notice. Featured machines in photos may include additional equipment. See your Caterpillar dealer for available options.

CAT, CATERPILLAR, their respective logos, "Caterpillar Yellow" and the POWER EDGE™ trade dress, as well as corporate and product identity used herein, are trademarks of Caterpillar and may not be used without permission.

CATERPILLAR[®]
TODAY'S WORK. TOMORROW'S WORLD.™